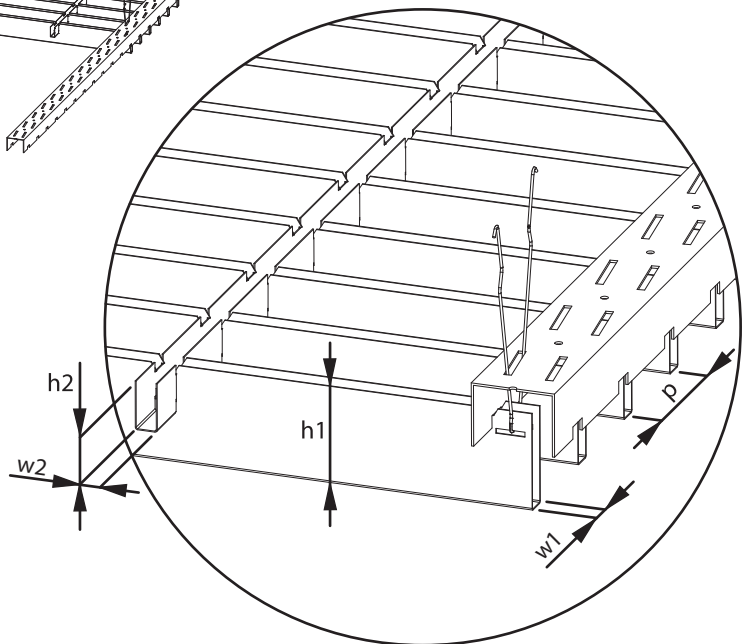
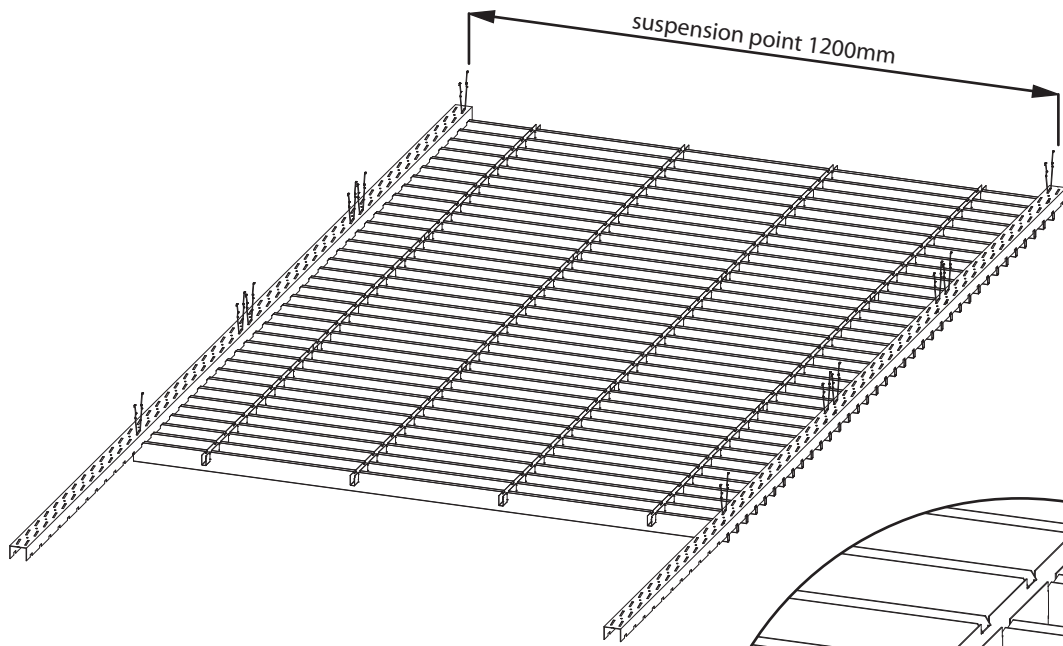


Bi-planar 9 - MC



Specifications

Material	0.42 Alum
Panel size	1200x600
Height h1	40mm
Height h2	20mm
Width w1	9mm
Width w2	9mm
Pitch p	30, 40, 50, 60, 75, 86 or 100mm
Standard colors	RAL9003, RAL9006 or RAL9005
Special colors	on request

Suspension system consisting of:

- Mainchannels L=2400mm, steel 0.9mm, colour black
- Couplers L=200mm, steel 0.9mm, colour black
- Springs, 4 pcs per panel 1200x600mm

CEL DIMENSIONS <i>L x W x h1 (mm)</i>	WEIGHT <i>KG /m²</i>	OPEN AREA <i>%</i>
300x30x40	2,99	68
300x40x40	2,39	75
300x50x40	2,30	80
300x60x40	1,97	83
300x75x40	1,63	85
300x86x40	1,45	87
300x100x40	1,29	88

